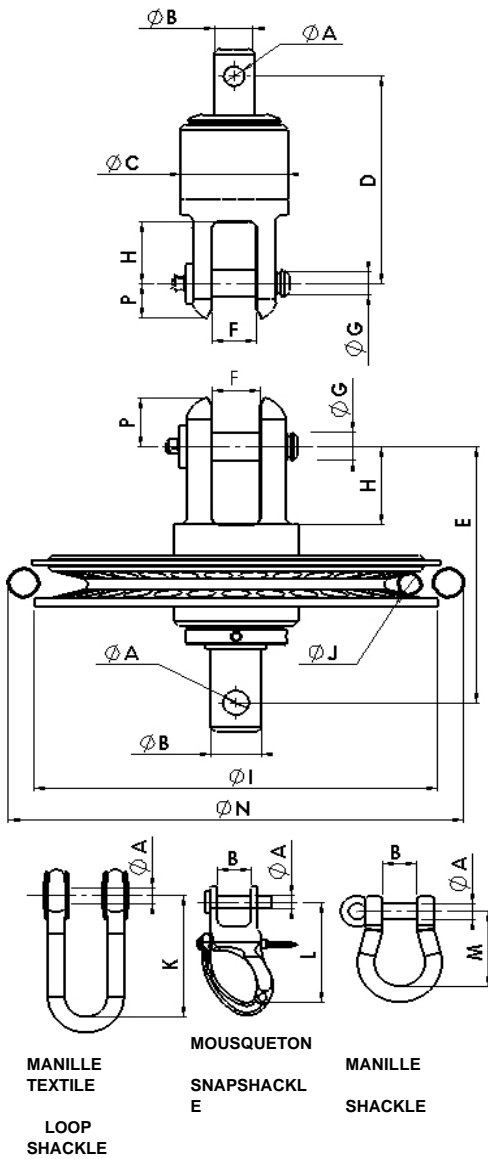


DIMENSION DES EMMAGASINEURS - CODE 0 FURLER MEASUREMENTS



| COTE           | FX900     | FX1500    | FX2500 | FX4500    | FX7000  | FX12 000   | FX20 000   |
|----------------|-----------|-----------|--------|-----------|---------|------------|------------|
| Ø A            | 6         | 6         | 8      | 10        | 12      | 16         | 20         |
| Ø B            | 12        | 12        | 15     | 20        | 25      | 30         | 40         |
| Ø C            | 31        | 34        | 42     | 49        | 60      | 72         | 86         |
| D              | 48        | 53        | 88     | 99        | 112     | 125        | 153        |
| E              | 56        | 58        | 95     | 108       | 121     | 134        | 161        |
| F              | 12        | 15        | 17     | 19        | 26      | 26         | 29         |
| Ø G            | 8         | 8         | 10     | 12        | 14      | 16         | 20         |
| H              | 18        | 21        | 26     | 33        | 39      | 43         | 50         |
| Ø I            | 85        | 105       | 139    | 160       | 199     | 248        | 298        |
| Ø j            | 6<br>6,35 | 6<br>6,35 | 8      | (8)<br>10 | 8<br>10 | (10)<br>12 | 12<br>12,7 |
| K              |           |           |        | 49        | 57      | 68         | 98,5       |
| L              | 40        | 40        | 54     | 88        |         |            |            |
| M              | 31        | 31        | 41     | 52        | 61      | 78         | 90         |
| Ø N<br>EXT,MAX | 97        | 117       | 154    | 175       | 221     | 272        | 332        |
| P              | 11        | 12        | 14     | 21        | 20      | 25         | 28         |

|   |     |     |     |      |      |      |      |
|---|-----|-----|-----|------|------|------|------|
| POIDS EMERILLON<br>SWIVEL WEIGHT<br>g           | 92  | 126 | 305 | 500  | 748  | 1320 | 2540 |
| POIDS POULIE CRANTEE<br>BOTTOM UNIT WEIGHT<br>g | 212 | 282 | 760 | 1075 | 2040 | 3040 | 5140 |

ACCROCHE STANDARD POULIE CRANTEE/STANDARD FITTING FOR BOTTOM UNIT

ACCROCHE STANDARD EMERILLON/STANDARD FITTING FOR SWIVEL

NOTA: 900E ACCROCHE STANDARD POULIE CRANTEE: MANILLE INOX (M=31)/900E BOTTOM UNIT STAINLESS STEEL SHACKLE AS STANDARD FITTING (M=31)

Les dimensions sont en mm. / Dimensions are in mm.