



The system of recirculating ball bearing cars is designed for full batten mainsail. It helps to raise, lower and reef the sail easily. The FACSLIDE® system combined with a Lazy Bag is the installation to handle perfectly your mainsail on your own\*.

\* a 50 m<sup>2</sup> mainsail weights approx. 35 kg for a monohull or 70 kg for multihull.

ADAPTIBILITY & RELIABILITY

The Facslide® system is synonymous of effortless sailing

Facslide+ Features :

- Fitting to the mast without modification: tracks easily fixed with slugs
- Strength : monobloc design of the car
- Toggle with large articulation and fitting most of batten boxes
- The cars are supplied with torlon® balls and safety clip device (FL10, FL20, FL30)
- FR25x15, FR40 : flat and light tracks, hard anodizing (40 microns)
- Compact & economical : Possibility of mixing the car models in order to lower the sail stack height when the cars are down (Facnor patent).

FACSLIDE<sup>+</sup>

Tracks fitting to the mast without modification

The tracks are easily fixed with slugs alongside the existing mast without unstepping (see page 44).



Top and bottom stoppers (EB15, ER40)

Delivered in the FACSLIDE® kit, these stoppers prevent the cars from sliding out of the tracks.

EB15 (F10,20,30)

ER40 (F40)

Headboard cars (FT10, FT20, FT30, FT40)

can be fitted on the head board of the existing sail or simply on a ring

+ 180° angle

toggle with large articulation

Safety-clip device (similar to the FX Gennaker furlers)

Monoblock cars

The FACSLIDE® cars are CNC machined in one block of aluminium, this makes them shock-proof when lowering the sail.

Automatic reefing

- Reefing the mainsail is easy as the effort for tightening the halyard are limited.
- As a complementary boom option Facnor supplies the F40 outhaul foot car. (ref. 540 204 008 20)



Photo Credit : © Morris Adant / Garcia - Grand large yachting



### FACSLIDE+ MODEL SELECTION

Facslide Model	Track Reference*	MONOHULL Mainsail area	MULTIHULL Mainsail area
F 10	FR25x15	45 M <sup>2</sup>	40 M <sup>2</sup>
F 20	FR25x15	60 M <sup>2</sup>	55 M <sup>2</sup>
F 30	FR25x15	85 M <sup>2</sup>	70 M <sup>2</sup>
F 40	FR40	130 M <sup>2</sup>	90 M <sup>2</sup>



\* with screws and slugs



#### ■ Cars references :

- Batten cars : FL10, FL20, FL30, FL40.
- Intermediates cars : FI10, FI20, FI30, FI40.

#### ■ Compact Facslide set :

- FACSLIDE<sup>®</sup> set includes : tracks, headboard, batten and intermediate cars.
- for a reduced cars height when mainsail lowered, it is possible to mix different car models

#### ■ Tracks :

Two types of tracks according to the mainsail area :

##### FR+ 25 x 15 Tracks for F10-20-30 cars

- Length = 2 meters
- anodization (black) of the tracks : 40 microns.



##### FR40 Tracks for F40 cars

- Length = 1,7 meter
- colorless anodization.



- installation of the tracks : see against
- dimensions page 46.

### INSTALLATION OF THE TRACK WITH THE SLUGS

■ **No modification of the mast :** The tracks are easily fitted to your mast with slugs without unstepping and modifying it. The various types of slugs ensure the compatibility of our system to most existing mast grooves. The tracks are CNC drilled with high precision. Made of aluminium extrusion, they are also perfectly straight.

- Two types of slugs : flat and round
- Various sizes available (see table p. 44 or ask to your Facnor dealer)



#### Salted water at the head...

Even though the head cars are positioned 10 meter high, they receive sea water, therefore do not hesitate to rinse the cars with fresh water.

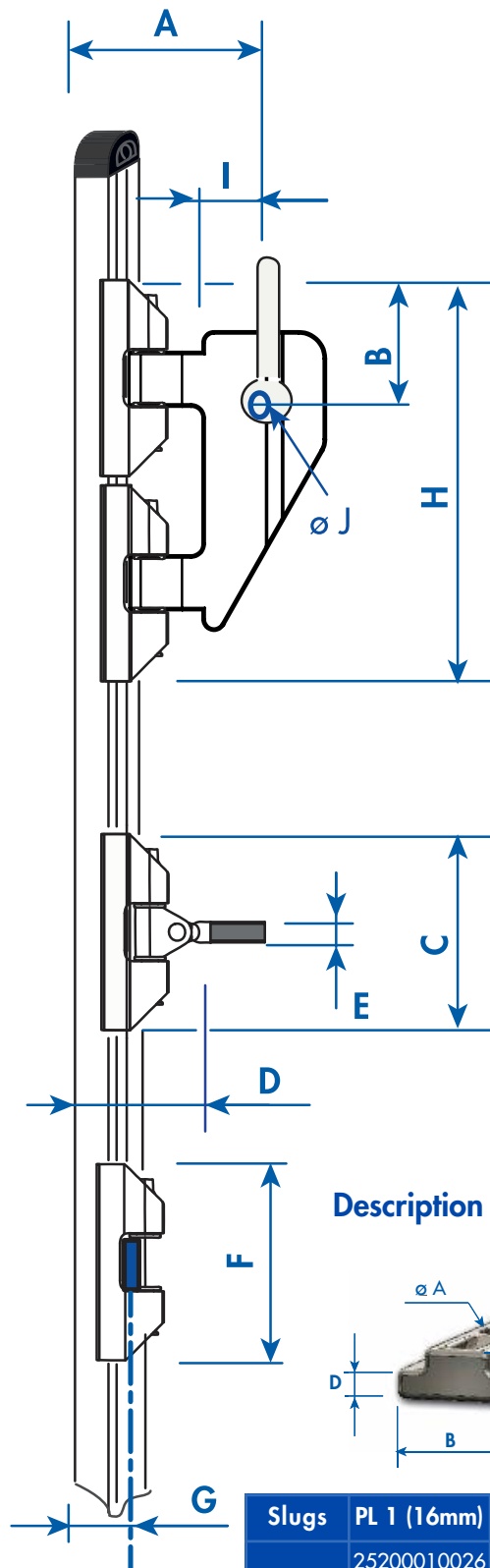
Facnor advice: once a year put a drop of washing up liquid on the car balls.



Lower mainsail with Facslide system combined with lazy Jack



FACSLIDE+ DIMENSIONS

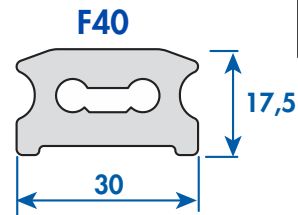
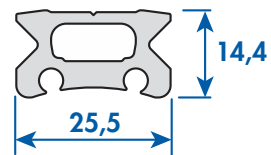


F10+	
Track ref.	FR 25x15
Marks	Dimensions (mm)
A	72
B	45
C	74
D	58
E	M10
F	64
G	26
H	162
I	38
ø J	8

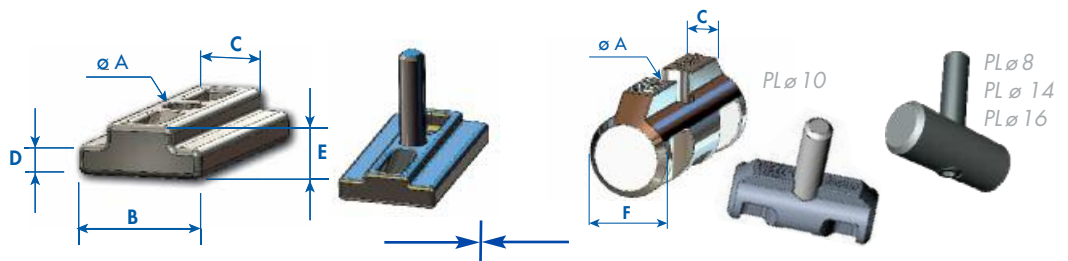
Track ref.	F20+	F30+
	FR 25x15	FR 25x15
Marks	Dimensions (mm)	
A	72	115
B	50	98
C	84	94
D	58	60
E	M10	M10
F	74	94
G	26	28
H	172	197
I	35	40
ø J	8	18

F40+	
Track ref.	FR 40
Marks	Dimensions (mm)
A	120
B	150
C	140
D	120
E	M12
F	85
G	37
H	300
I	39
ø J	18

F10-20-30



Description and dimensions of the slugs :



Slugs	PL 1 (16mm)	PL 2 (19mm)	PL 3 (23mm)	PL ø 8	PL ø 10	PL ø 14	PL ø 16
Part N°	25200010026 (M5)	25200010028 (M5)	25200010030 (M5)	51095080000 (M5)	25200010033 (M5)	25200010035 (M5)	51095160000 (M6)
Dim.			25200010032 (M6)				
A	5 mm	5 mm	5-6 mm	5 mm	5 mm	5 mm	6 mm
B	16 mm	19 mm	23,7 mm	-	-	-	-
C	9 mm	9 mm	12,4 mm	-	3,8 mm	4,8 mm	-
D	4 mm	4,5 mm	4,8 mm	-	-	-	-
E	6,3 mm	6 mm	7,7 mm	-	-	-	-
F	-	-	-	8 mm	10 mm	14 mm	16 mm